

TYFON[®] train whistles



The TYFON MKT 75- series – standard for locomotives

The TYFON MKT 75-series have been thoroughly tested in hard practical work for many years. The TYFON itself originates from 1920's and it has been used on trains since 1930's.

- Corrosion resistant - horn made of thermoplast
- Almost unlimited diaphragm life
- High acoustic power - 125 dB(A) at 5 m in front of the horn
- Standard frequencies - 370 and 660 Hz
- In accordance with UIC 644
- Low air consumption - 5-8 l/s
- Adaptable to regional requirements
- Optional heating elements
- Customer tailored application on request



TYFON[®] - The Original
The Top Quality from Kockum Sonics

Valves

Electric or manual operated valves can be used for TYFON train whistles.

Accessories

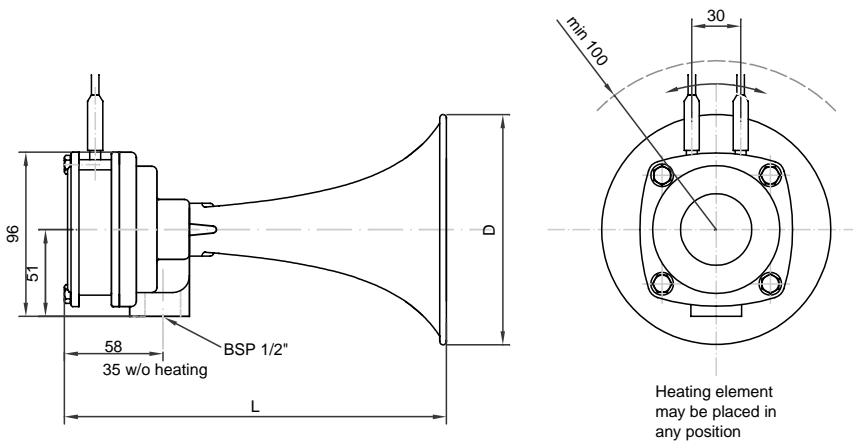
A wide range of accessories is available:

- Particle protector, nylon or metal
- Choke discs for actual air pressure
- Mounting devices
- Heating elements
- Copper horns

Adaptable to regional requirements

Some regional specifications may stipulate nonstandard frequencies or the inclusion of a heater. TYFON train whistles can be tailored to meet such regional needs.

Technical Details



TYFON type	Freq. Hz	UIC Freq.	Dimensions (mm)		Heating	Approx net weight (kg)
			D	L		
MKT 75/370	370	x	202	415		1.6
MKT 75/460	460		140	297		1.4
MKT 75/660	660	x	140	204		1.3
MKT 75/800	800		125	139		1.3
MKTH 75/370	370	x	202	438	X	2.3
MKTH 75/460	460		140	320	X	2.1
MKTH 75/660	660	x	140	227	X	2.0
MKTH 75/800	800		125	162	X	2.0



TYFON, LEVELMASTER, LoadRite and INSONEX are registered trademarks of Kockum Sonics AB. Specifications are subject to change without notice.

Corporate headquarters:

Kockum Sonics AB

Industrigatan 39
Box 1035
SE-212 10 MALMÖ
SWEDEN
Tel: +46 (0)40 671 88 00
Fax: +46 (0)40 21 65 13
E-mail: info@sonics.se
www.kockumsonics.com

Kockum Sonics LLC

933 Industry Road
Suite 105
KENNER, L.A. 70062,
U.S.A.
Tel: +1 (1)504 466 9740
Fax: +1 (1)504 466 9792
E-mail: Kockumsusa@msn.com

Kockum Sonics (UK) Ltd

Unit 7, Leighton Ind. Park
Billington Road
Leighton Buzzard
BEDS LU7 8YL
UK
Tel: +44 (0)1525 85 23 23
Fax: +44 (0)1525 85 35 05
E-mail: sales@kockumsonicsuk.com

Kockum Sonics Russia

14, Obvodny kanal
RU-193019 ST. PETERSBURG
RUSSIA
Tel: +7 (8)812 567 70 04
Fax: +7 (8)812 567 70 04
E-mail: loadrite@sonics.ru

Kockum Sonics AG

Oberdorfstrasse 64
Postfach 448
CH-8600 DÜBENDORF
SWITZERLAND
Tel: +41 (0)1 820 31 91
Fax: +41 (0)1 821 26 52
E-mail:
kockumsonics@datacomm.ch
www.kockumsonics.ch