

TRAIN WHISTLE

Signal for locomotives

Train whistles for all types of rolling stock

TYFON® itself originates from the 1920's and has been used for train signalling since the 1930's. As such, our train whistles have a long history of reliable performance in a variety of extreme conditions whilst still providing audible signalling that well exceeds the UIC parameters.

From Scandinavia to the Pacific, you will hear the un-mistakable sound of TYFON®

Our strength is your benefit!

Kockum Sonics – let us add value to your onboard operation

TYFON® a world class brand

By listening to our Customers and acting upon their individual requirements, we have been able to design new and innovative products that have resulted in far greater Customer confidence and loyalty.



TW 660

Electronic TYFON for 660 Hz according to UIC 644 end Electronic Control Unit TK 660.



TYFON®

The distinguished sound of TYFON is renowned in all fields of highpower audio signalling and as such many countries throughout the world have equipped their locomotives with TYFON train whistle.

Features

- Corrosion resistant - thermoplastic trumpet horn with diaphragm of virtually unlimited lifetime.
- High acoustic power - 125 dB (A) at 5m from the horn
- Standard frequencies - 370Hz and 660Hz.
- Complies with UIC 644.
- Low air consumption - 5-8 l/sec.
- Adaptable to regional requirements.
- Optional heater element.
- Customer tailored solutions upon request.

Accessories

A wide range of accessories are available

- Particle protectors in nylon or metal
- Choke discs for specific pressures
- Alternative mounting schemes
- Heater elements
- Copper horns

Service and support

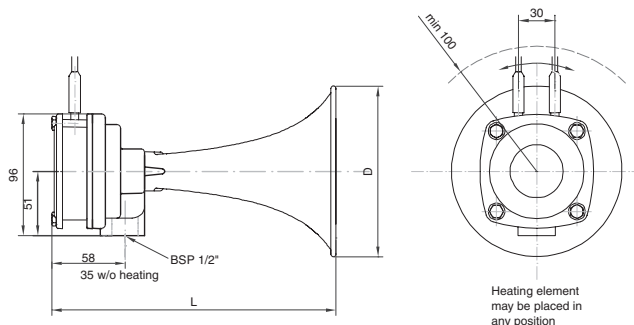
Kockum Sonics' wholly owned subsidiary companies and world-wide network of Agents are ideally placed to provide an excellent standard of customer support and spare parts where required. Additionally a 24 hour global help desk ensures any queries or questions are answered both rapidly and effectively regardless of location or time zone.



Kockum Sonics – let us add value to your onboard operation

TYFON®

Technical Details



TYFON type	Freq. Hz	UIC Freq.	Dimensions (mm)		Heating	Approx net weight (kg)
			D	L		
MKT 75/370	370	x	202	415		1.6
MKT 75/460	460		140	297		1.4
MKT 75/660	660	x	140	204		1.3
MKT 75/800	800		125	139		1.3
MKTH 75/370	370	x	202	438	X	2.3
MKTH 75/460	460		140	320	X	2.1
MKTH 75/660	660	x	140	227	X	2.0
MKTH 75/800	800		125	162	X	2.0



Kockum Sonics AB, Industrigatan 39, P.O. Box 1035, SE-212 10 Malmö, Sweden, Tel: +46 (0) 40 671 88 00
Fax: +46 (0) 40 21 65 13, e-mail: info@kockumsonics.com, www.kockumsonics.com

Kockum Sonics China, 2123 Pudong Da Dao 1509, Dragon Pearl Complex, Shanghai 200135, CHINA,
 Tel: +86 (21) 5885 2729, 5860 3661, Fax: +86 (21) 6853 84 00.

Kockum Sonics Russia, 14, Obvodny Kanal, RU193019, St. Petersburg, RUSSIA, Tel: +7 (8) 812 567 70 04, Fax: +7 (8) 812 567 70 04

Kockum Sonics (UK), Ltd. Unit 7, Leighton Ind. Pk., Billington Rd., Leighton Buzzard BEDS LU7 8YL, UK,
 Tel: +44 (0) 1525 85 2323, Fax: +44 (0) 1525 85 35 05.

Kockum Sonics AG, Oberdorfstrasse 64, Postfach 448, CH-8600 Dübendorf, SWITZERLAND,
 Tel: +41 (0) 1 820 31 91, Fax: +41 (0) 1 821 26 52,

Kockum Sonics, LLC 933 Industry Rd, Suite 105, Kenner, LA. 70062, U.S.A. Tel: +1 (1) 504 466 9740, Fax: +1 (1) 504 466 9792