

Timer Unit TI 501

User Manual

User manual

Timer Unit TI 501



Ref. no. 245.80.122

Issue: KSA685EN/0720

Dear Customer

Thank you for the confidence you have displayed, in purchasing a warning devices, consisting of a TYFON® Siren and TI Timer Unit.

Installation and commissioning should be done by people with appropriate training and professional skill. Please read the installation manual carefully beforehand.

It is also important to read the manual, since incorrect operation can damage the installation.

Please contact us if you have any questions.

Yours Faithfully

Kockum Sonics
Box 135
SE-212 10 Malmö
Sweden

Phone: 0046 40- 671 8800

Fax: 0046 40- 21 65 13

www.kockumsonics.com

info@kockumsonics.com

Precautions

This unit is designed for 24 V DC operation only.

Caution

Before making any connections disconnect the power supply.

Connections

Power supply has to be connected.

By remote operation a closing potential free contact has to be connected between + and:

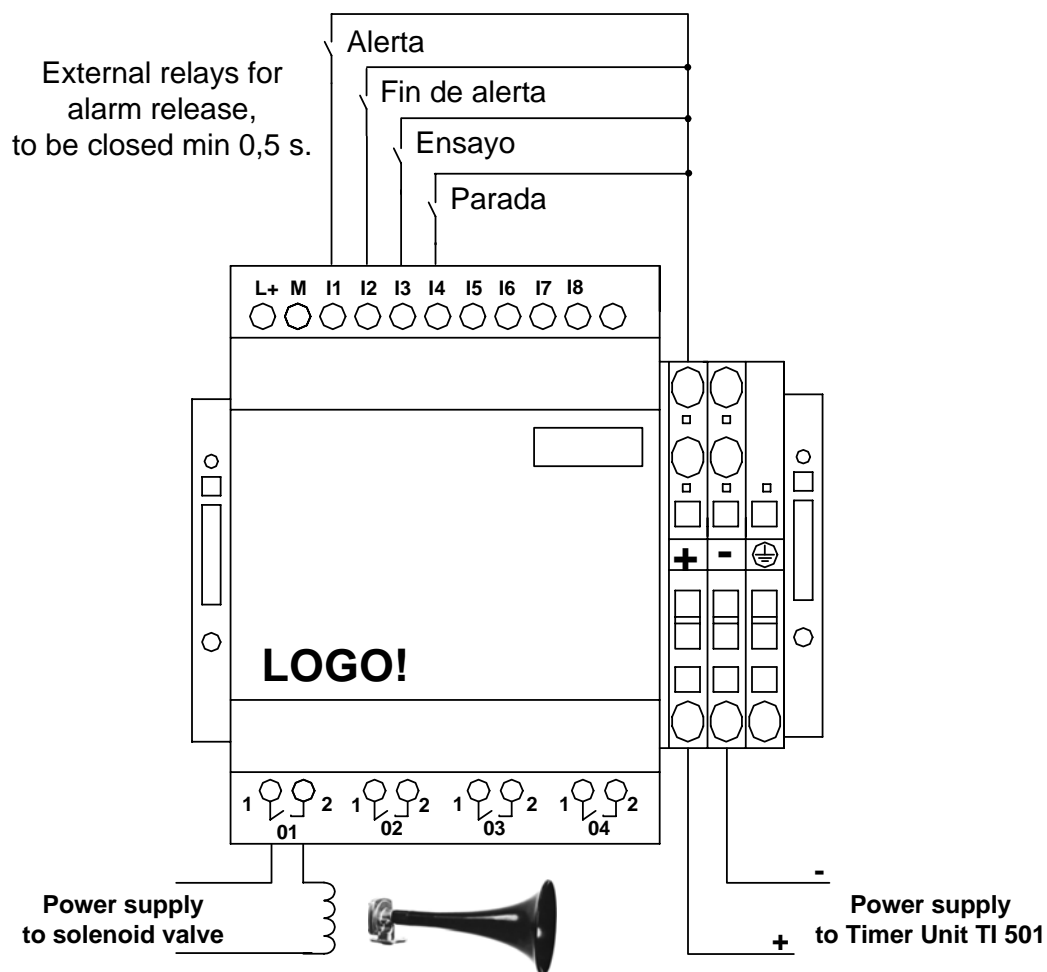
I1=Alerta

I2=Fin de alerta

I3=Ensayo

I4=Parada, for release of an alarm

The unit has one potential free open output contact, 01, which make according to the selected alarm signal.



	Property	Unit
Power supply	24	V DC
Power consumption	10	W
Inputs	8	Opto
Outputs	4	Relays
Continuous max current	4	A
Max voltage	240	V
Rated connection	2,5	mm ²
Protection class	IP 54	
Operating temp range	0...+55	°C
Storage temp range	-40...+70	°C
Dimensions W x H x D	200 x 200 x 120	mm
Weight	3,0	kg
Enclosure colour	light grey	RAL 7035

Operation

By pressing one of the alarm buttons on the front panel the different alarms can be released.

The activation is delayed with 0,5 seconds to avoid false chose.

The released alarm is indicated by a LED in the respective button. By the stop push button the released alarm can be interrupted.

Push button 1=Alerta

Push button 2=Fin de alerta

Push button 3=Ensayo

Push button 4=Parada

Installation

The cabinet has to be fix at a wall with four screws.

Troubleshooting guide

The following checklist will assist in the correction of most problems, which you may encounter with your unit. Before going through the checklist below, refer to the connection and operating procedures.

Problem

No illumination in the push button.

Cause/ solution

The fuse is blown.

→Replace the fuse with a new one.

No Alarm Sequence from the unit.

No power supply.

→Check the voltage with a multimeter.

No sound from the sound emitter

The magnetic valve is not activated.

→Check the voltage at the valve with a multimeter.

Sound not interrupted.

Dirt in the magnetic valve

→Clean the valve inside.

Disposal

The unit shall be handed over to the applicable collection point for the recycling of electrical and electronic equipment. By ensuring this product is disposed of correctly, you will help prevent potential negative consequences for the environment and human health, which could otherwise be caused by inappropriate waste handling of this product. The recycling of materials will help to conserve natural resources.