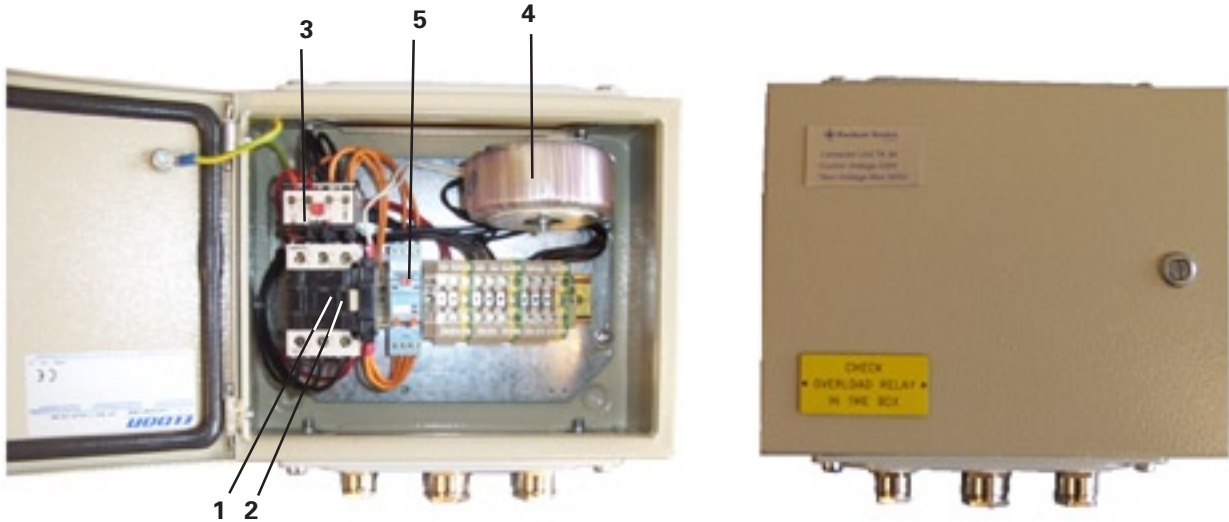


Contactor Unit TK 75A / TK 80A TK 85A / TK 90A

...for ELECTRO-TYFON® MT 150/- and MTX 150/-



TK 75A 245.80.200 for MT	} 400-440 V
TK 80A 245.80.201 for MTX	
TK 85A 245.80.202 for MT	} 690 V
TK 90A 245.80.203 for MTX	

General Information

To protect the ELECTRO-TYFON® from overload a thermal relay is built into the contactor unit. The relay's set point is: TK 75A: 11A, TK 80A: 14A, TK 85A: 6A, TK 90A: 9A. The hand reset button is located within the cabinet. The unit provides the TYFON®(s) with heating voltage that automatically switches off during signalling.

Technical Data

Main voltage max 690V
Heating capacity 96VA

Cable glands — standard:

2 pcs M 25 x 1,5 for cable Ø 9-20
1 pcs M 20 x 1,5 for cable Ø 6-16

Glands — optional:

3 pcs M 32 x 1,5 for cable Ø 17-28

The cable gland on the Motor Terminal Box is M 25 x 1,5 for cable Ø 9-20.

Colour: RAL 7032

Units		
No.	Name	Ref. no.
1	Contacteur BF2500 115/120V 50/60 Hz	20400101
	Contacteur BF 2500 230/240V 50/60 Hz	20400100
2	Coil for contacteur 115/120V 50/60 Hz	20400135
	Coil for contacteur 230/240V 50/60 Hz	20400134
3	Thermal relay RF 25, 9-15 for MT TK 75A	20400270
	Thermal relay RF 25, 14-23 for MTX TK 80A	20400269
	Thermal relay RF 25, 4,5-7,5 for TK 85A	20400271
4	Transformer 400/24V, 96VA for TK 75A/80A	20600127
	Transformer 690/50V, 96VA for TK 85A/90A	20600128
5	Relay 230V	20400283

Units can be obtained from Kockum Sonics or their agents. When ordering, please, give voltage and frequency, reference number and part name.

Contactor Unit dimensions:

220 x 275 x 120 mm (H x W x D)
Distance between 4 mounting holes:
Horizontally: 226 mm
Vertically: 171 mm
Mounting holes: Ø 6,5 mm
Total weight: 5,8 kg

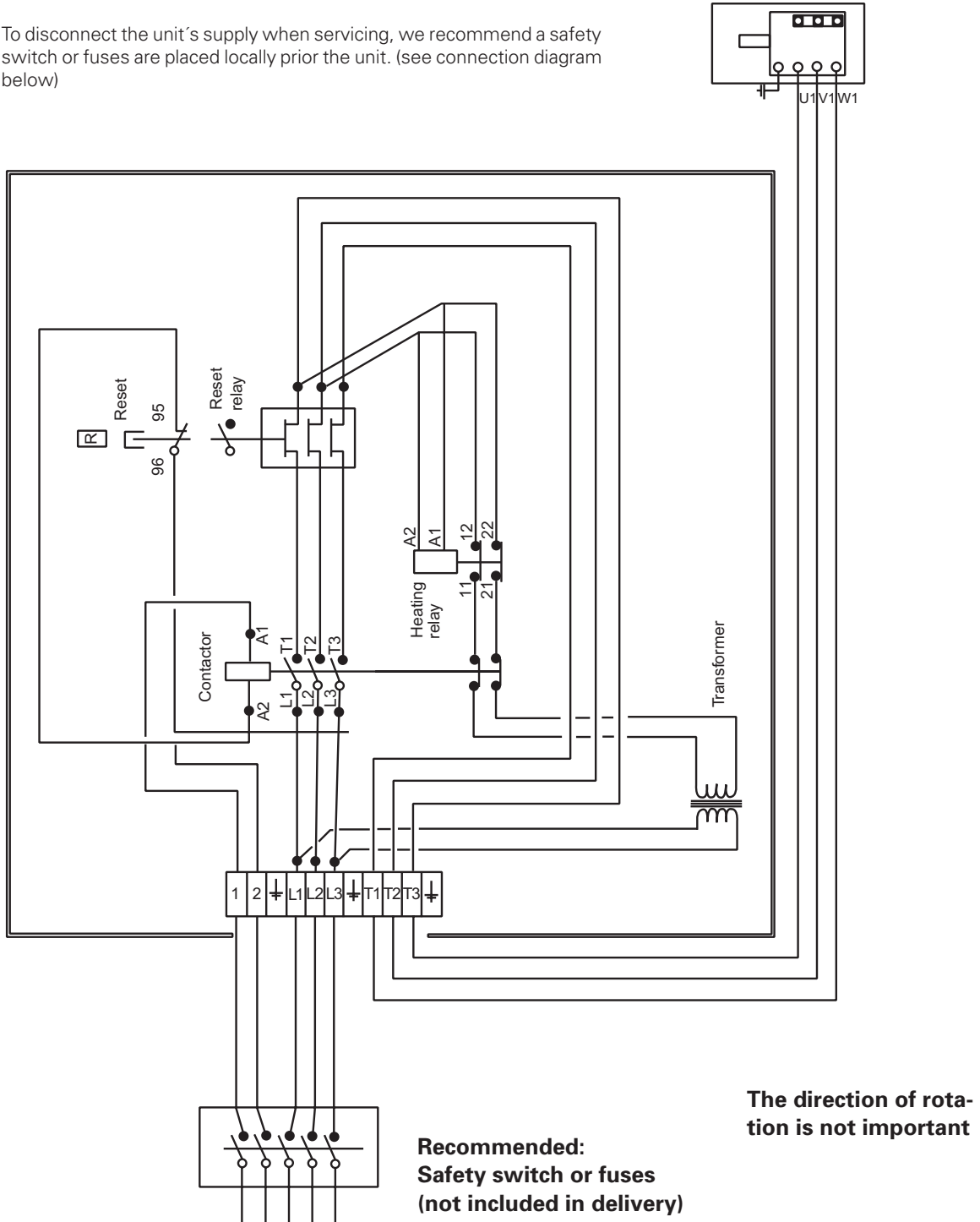
Connection Diagram

ELECTRO-TYFON with built-in heater

Installation

The Contactor Unit TK 75A / TK 80A / TK 85A / TK 90A should be mounted indoors.

To disconnect the unit's supply when servicing, we recommend a safety switch or fuses are placed locally prior the unit. (see connection diagram below)



Control	Mains
230V/115V	400V/50Hz
50/60Hz	440V/60Hz
	690V/50Hz
	690V/60Hz