

TYFON[®] LP75

Signalling whistle for vessels up to 75 m in length

New

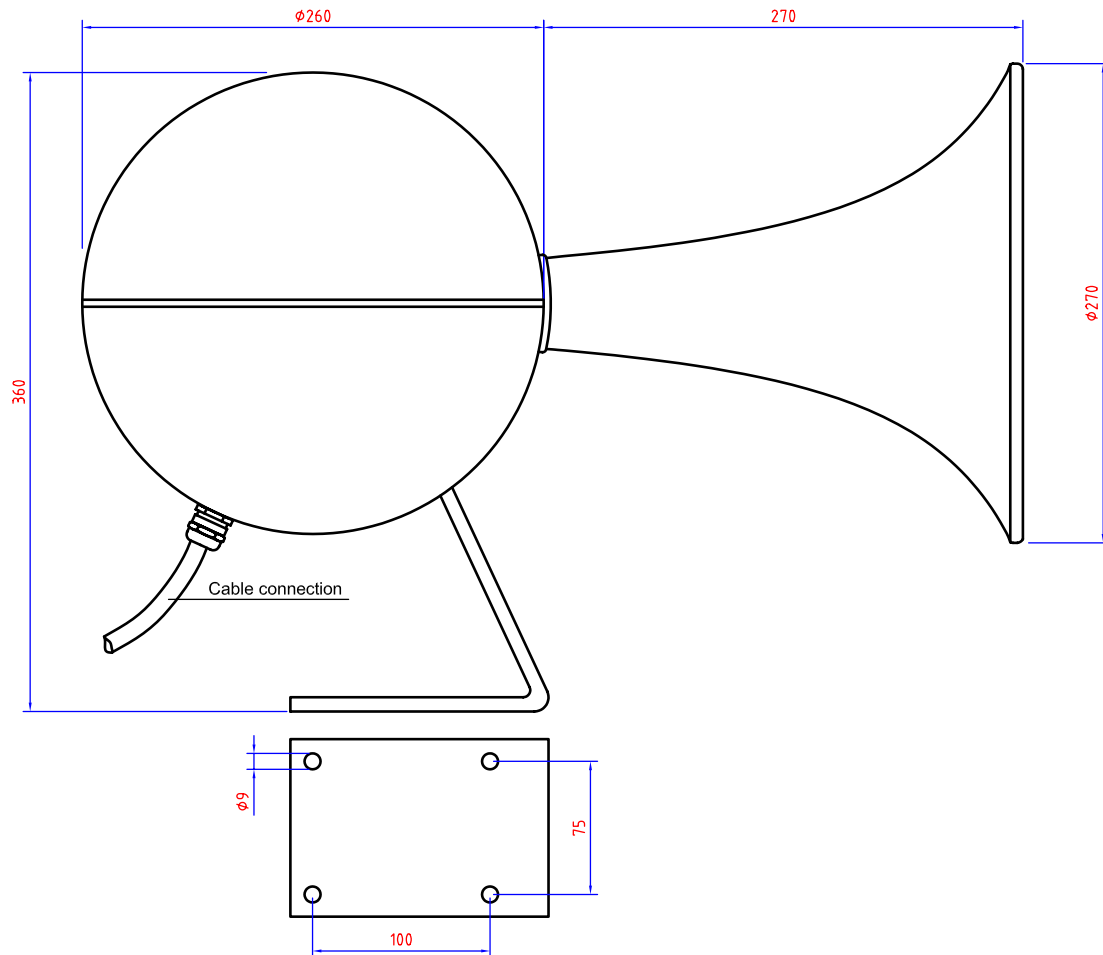


Kockum Sonics has applied its more than 80 years of marine whistle design experience and launches yet another revolutionary and patented whistle design. The LP75 is a unique and type approved whistle providing the characteristic air TYFON sound without the need of compressed air. Of course the TYFON LP75 meets all the high demands set regarding robustness, design and easy installation.

Why TYFON[®] LP75?

- Gives the famous "Air TYFON[®]" sound.
- The entire unit is delivered and installed in one piece.
- Does not require compressed air.
- Installation is as easy as it can be. Only power and four bolts are required!
- Meets the demand of modern design for slim yachts
- Withstands the rough environment on-board work boats
- Designed to operate in cold environment.

TYFON[®] LP75



Technical Data

Frequency (basic)	350 HZ
Sound Pressure Level (at 1m)	
Total	134 dB
According to IMO (1/3 octave band):	>130 dB
Power supply	230 VAC
Power consumption signalling	1200 W (6A)
Weight	10 kg

Installation

The whistle shall be mounted on a horizontal support plane.

The foot of the whistle is designed with small inclination, so when the whistle is placed on horizontal plane, the horn will be tilted slightly forward.

Optionally the whistle can be equipped with 24VDC emergency power converter.